

PS-LX56/LX56P

SERVICE MANUAL

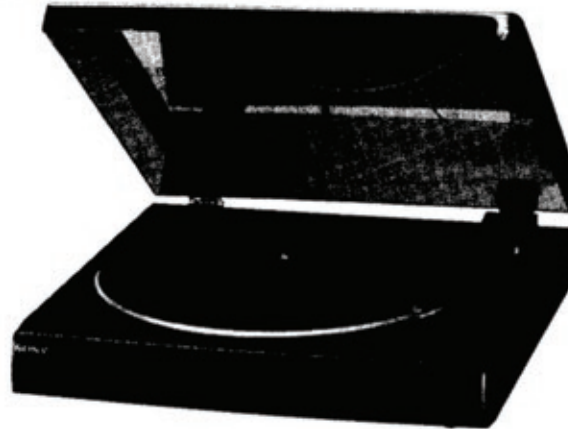


PHOTO : PS-LX56

PS-LX56/LX56P are the turntable section in LBT-A190/A195/A290/A290K/A295/A390/A390K/A395/A490/A490K/A495/D150/D250/D550/G1000/G2000.

US Model
Canadian Model
PX Model
Tourist Model
PS-LX56
AEP Model
E Model
Australian Model
PS-LX56/LX56P
UK Model
PS-LX56P

SPECIFICATIONS

Turntable	(PS-LX56)	Turntable	(PS-LX56P)
Platter	30cm (12 in.)	Platter	30 cm
Motor	DC servo motor	Tone arm type	Dynamically balanced
Drive system	Belt drive	Cartridge type	Moving magnet type
Speed	33 1/3 rpm/45 rpm switchable	Stylus	Sony CN-234 (0.6 mil diamond)
Wow and flutter	0.2% (WRMS)	Mass	Approx. 2.3 kg (5 lb 1 oz)
Signal-to-noise ratio	60 dB (DIN-B)	Dimensions	Approx. 355 x 95 x 345 mm (14 x 3 7/8 x 13 3/8 inches) (w/h/d, including projections)
Automatic system	Return, reject		
Tonearm			
Type	Dynamically balanced		
Pivot-to-stylus length	203 mm (8 in.)		
Overall arm length	235 mm (9 1/4 in.)		
Cartridge			
Type	Moving magnet type		
Frequency response	20 Hz-20kHz		
Stylus	CN-234		
General			
Dimensions	355 x 94 x 345 mm(w/h/d) (14 x 3 7/8 x 13 3/8 inches)		
Weight	Approx. 2.5 kg (5 lb 8 oz)		
Power requirement	US and Canadian model : 120V AC, 60Hz European model : 220-230V AC, 50/60Hz Australian model : 240V AC, 50Hz Model for other countries : 110-120V/220-240V adjustable with the voltage selector AC, 50/60Hz		
Power consumption	2 W		
Accessory supplied	45-rpm adaptor (1)		
Optional accessories	Replacement stylus CN-234 Stat spray XP-C10 Cleaner XP-C1, XP-C2		

Design and specifications subject to change without notice.

Note

This appliance conforms with EEC Directive 87/308/EEC regarding interference suppression.

9-959-216-12
2001G0200-1

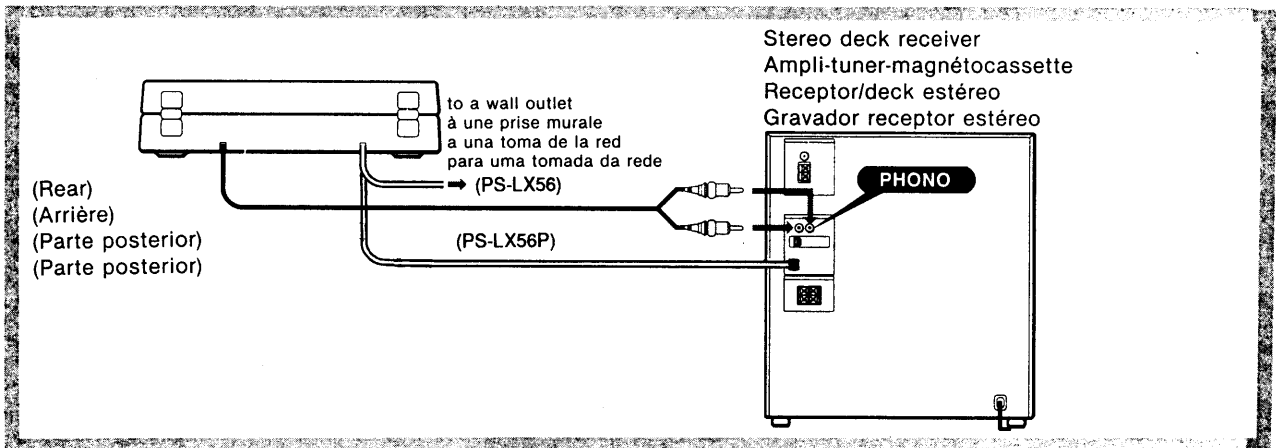
Sony Corporation
Home Audio Company

STEREO TURNTABLE SYSTEM
SONY®

Connections

Note

Connect the red plug to the right-channel jack (R), and the white plug to the left-channel jack (L).



Notes on installation

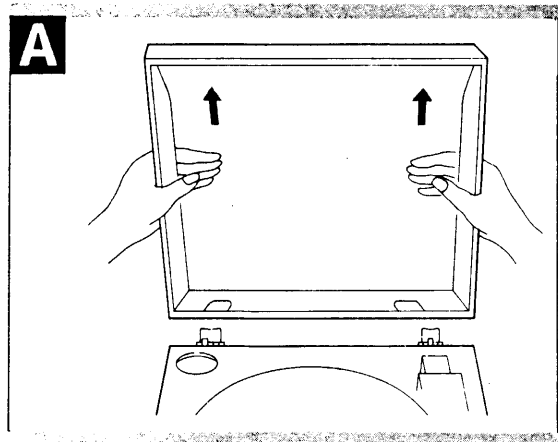
- Place the turntable on a level surface.
- Avoid placing the unit near electrical appliances (such as a television, hair dryer, or fluorescent lamp) which may cause hum or noise.
- Place the turntable where it will not be subject to any vibration, such as from speakers, slamming of doors, etc.
- Keep the unit away from direct sunlight, extremes of temperature, and excessive dust and moisture.

Nota

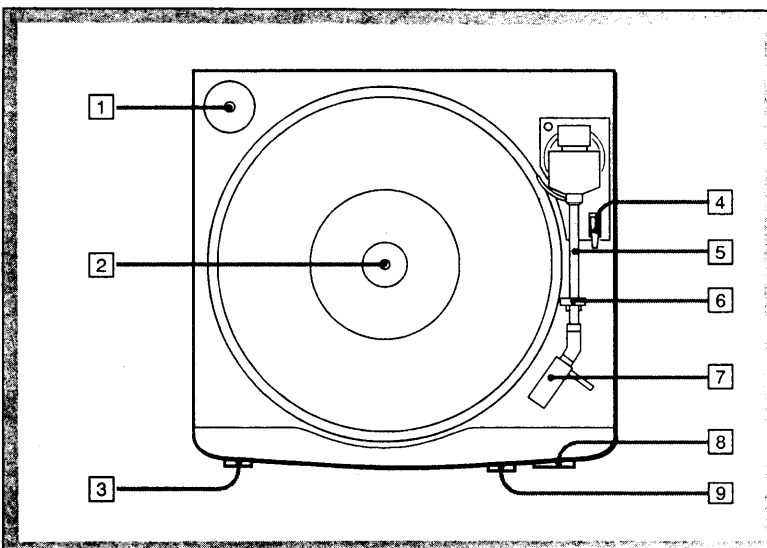
Conecte la clavija roja a la toma del canal derecho (R), y la blanca a la del canal izquierdo (L).

To remove the dust cover **A**

Open the cover fully and pull it up.

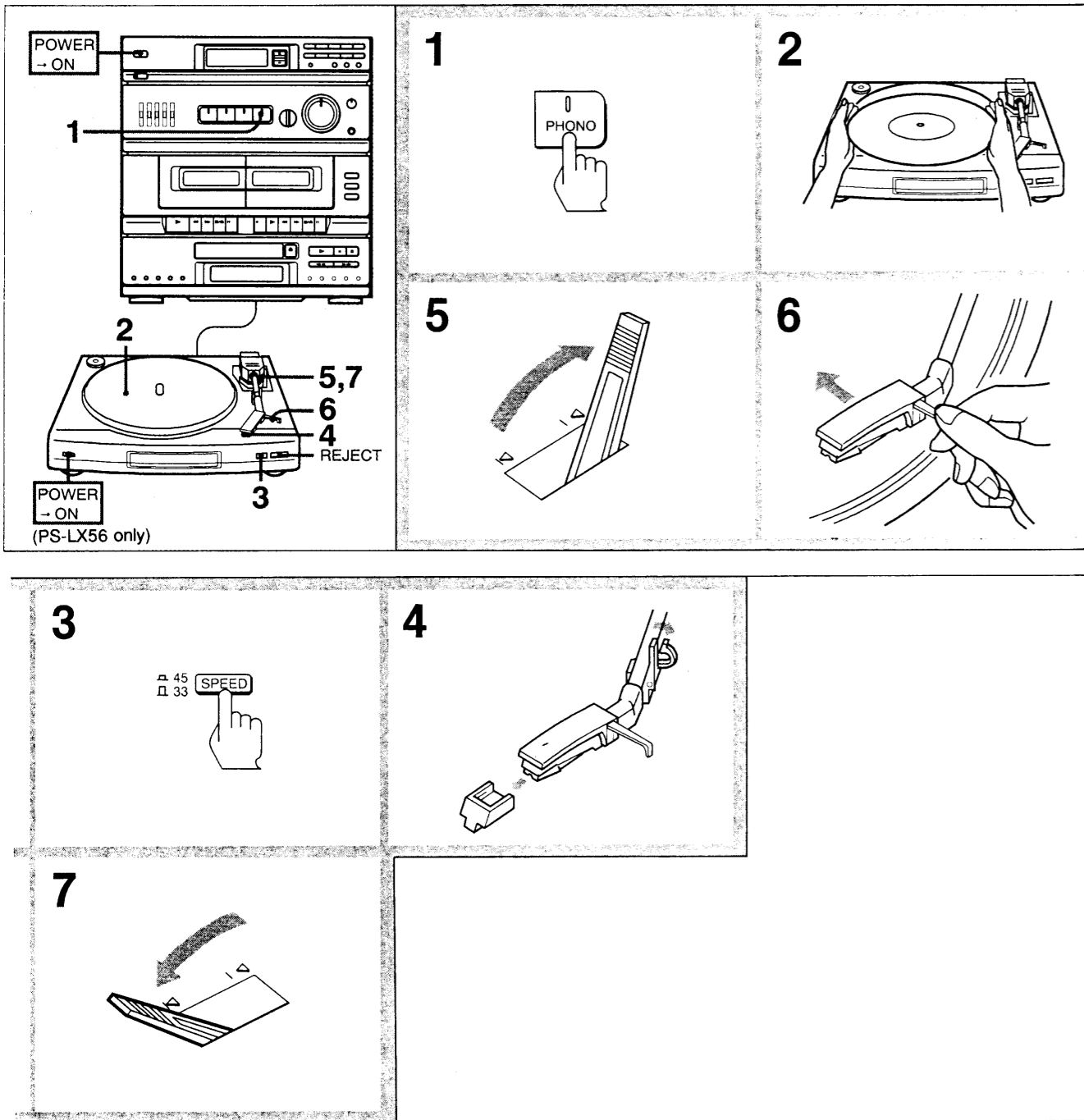


Location of Controls



- 1 45-rpm adaptor
- 2 Centre spindle
- 3 POWER switch (PS-LX56)
- 4 Cueing lever
- 5 Tonearm
- 6 Armrest
- 7 Cartridge
- 8 REJECT button
- 9 Speed selector

Playing Records



When the record is played to the end, the tonearm returns to the armrest and the turntable stops.

To stop during play, press REJECT.

To play a different part of the record

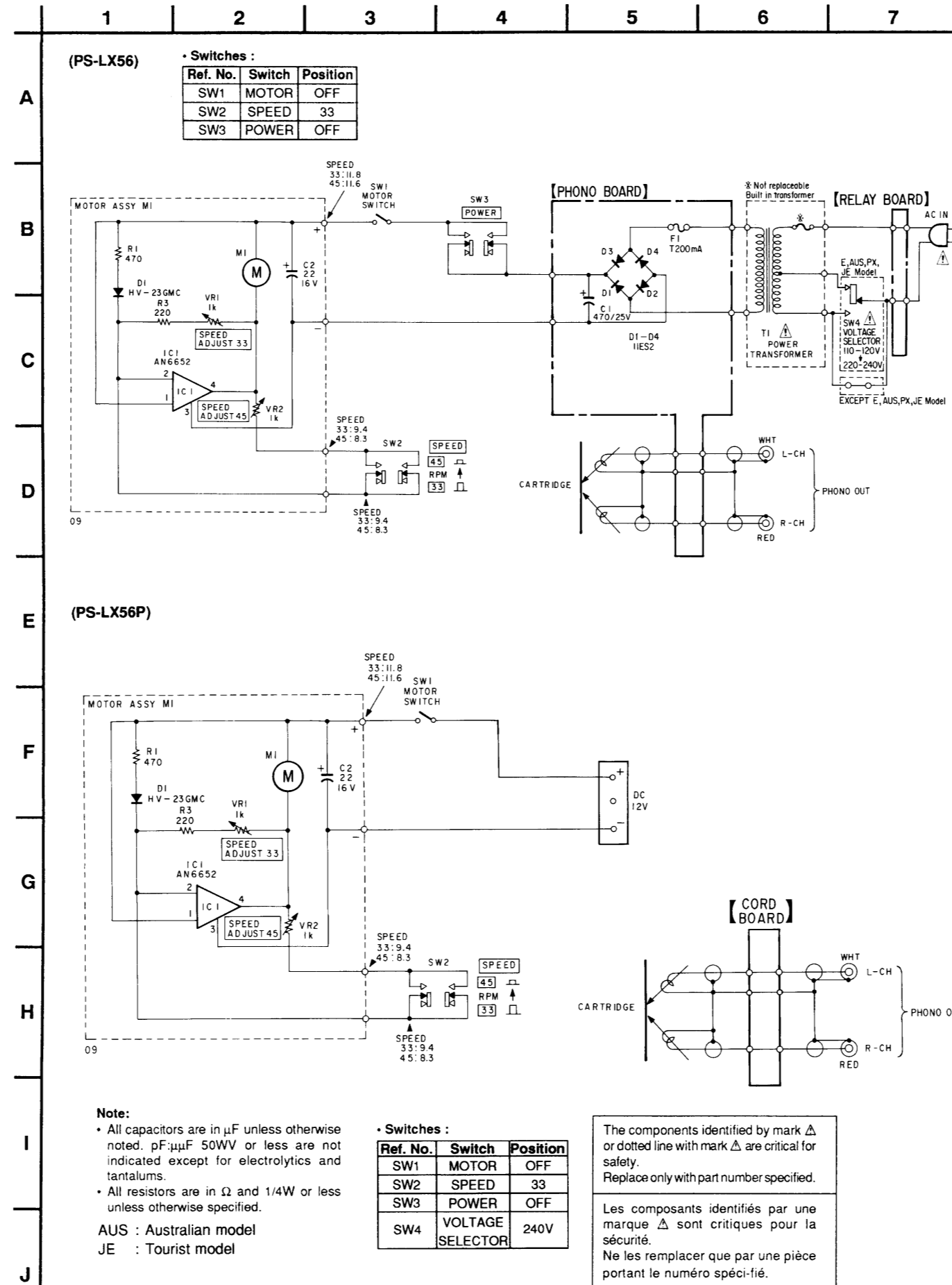
Lift the tonearm by setting the cueing level to ∇ , move the tonearm by hand to the desired point, then set the cueing lever to ∇ .

To play a 17-cm record
Use the supplied adaptor

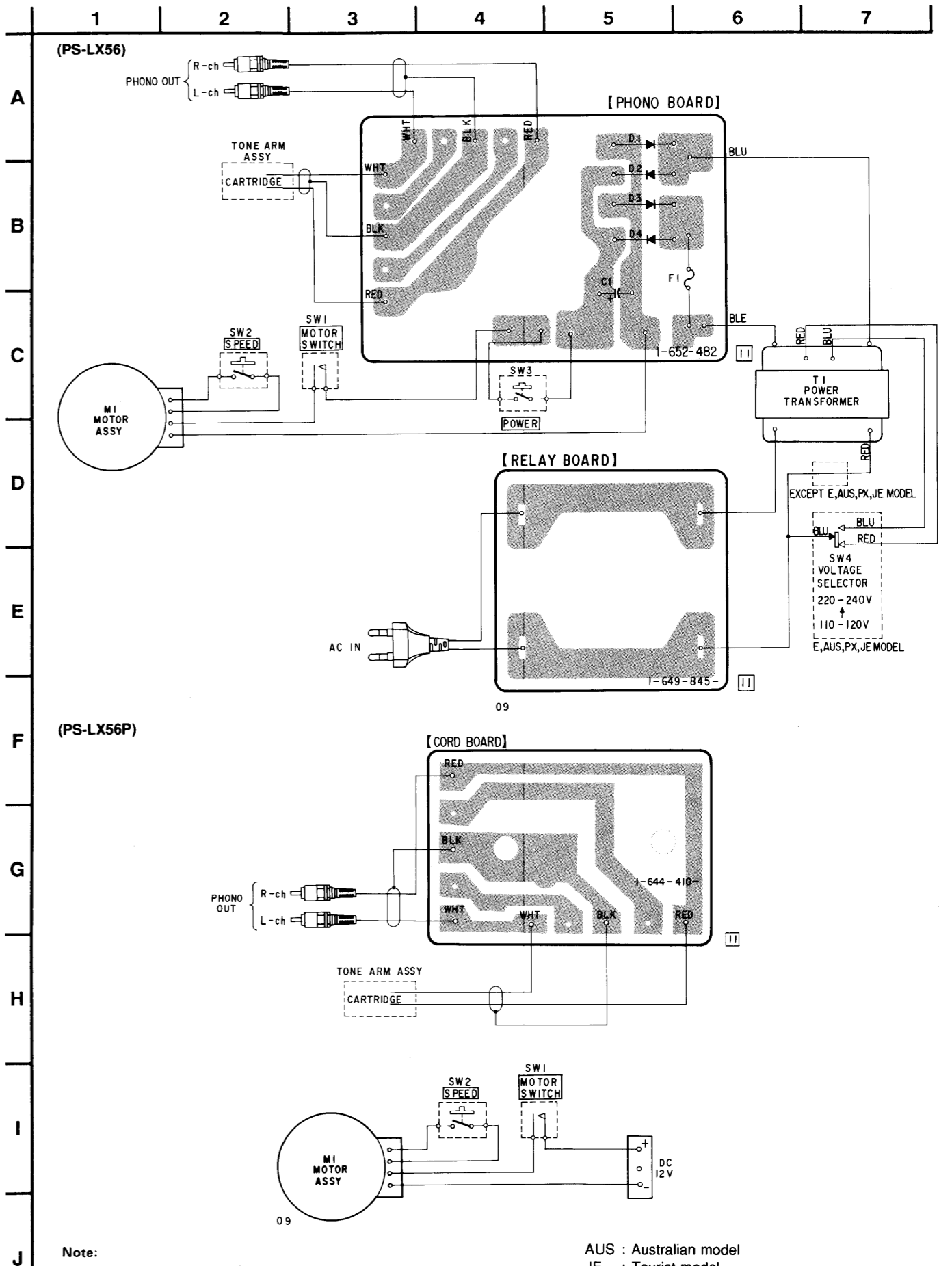
If the tonearm moves outward when you move it close to the centre
Do not resist this movement, as it may damage the automatic return mechanism.

If the tonearm does not return to its armrest
Press REJECT.

SCHEMATIC DIAGRAMS



WIRING DIAGRAMS



CORD PHONO RELAY

EXPLODED VIEW

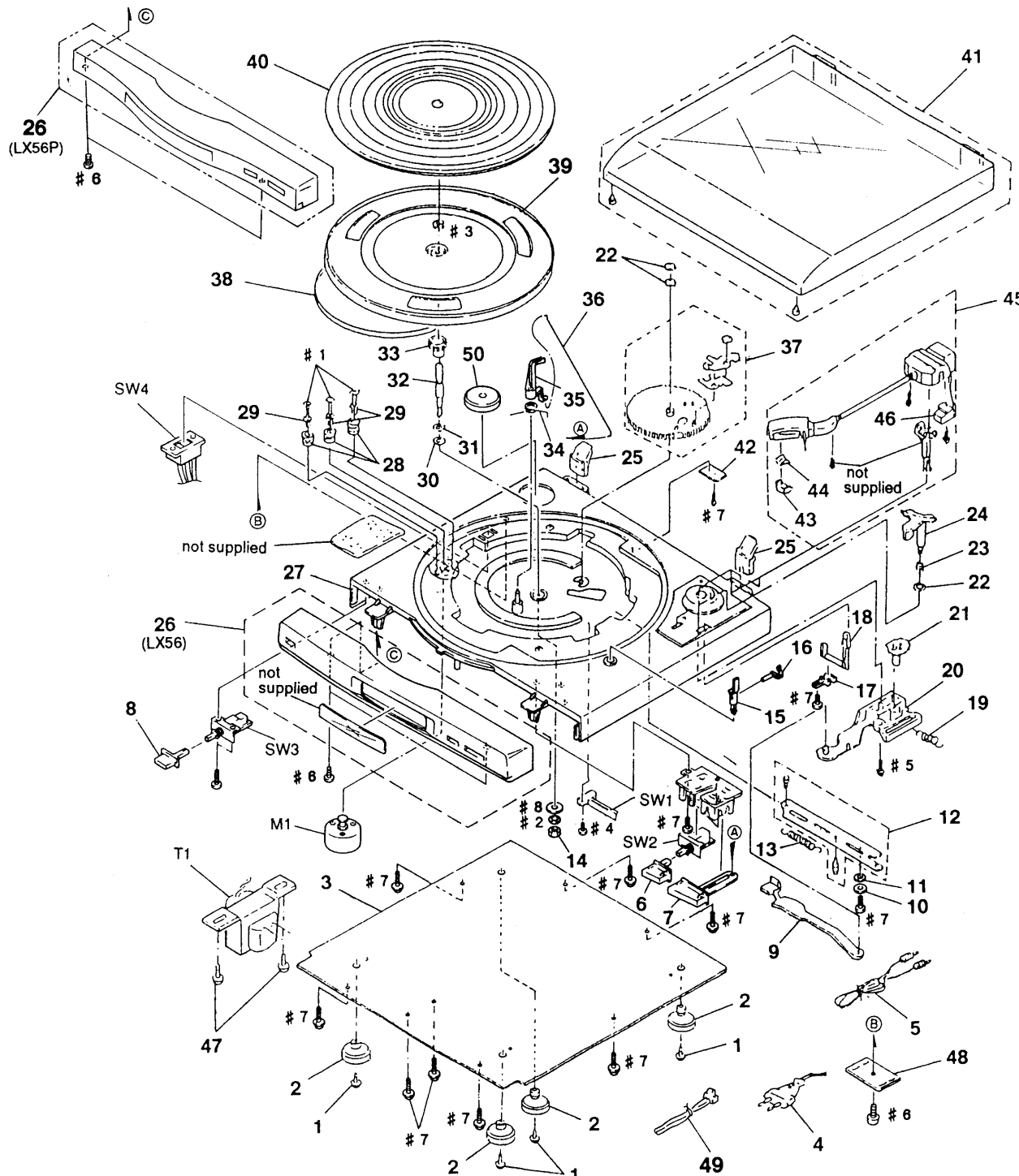
NOTE:

- XX, -X mean standardized parts, so they may have some difference from the original one.
- Items marked "*" are not stocked since they are seldom required for routine service. Some delay should be anticipated when ordering these items.
- The mechanical parts with no reference number in the exploded views are not supplied.

- AUS : Australian model
- CND : Canadian model
- EE : East European model
- IT : Italian model
- MX : Mexican model
- EA : Saudi Arabia model
- SP : Singapore model
- MY : Malaysia model
- JE : Tourist

The components identified by mark Δ or dotted line with mark Δ are critical for safety. Replace only with part number specified.

Les composants identifiés par une marque Δ sont critiques pour la sécurité. Ne les remplacer que par une pièce portant le numéro spécifié.



Ref. No.	Part No.	Description	Remark
1	4-950-497-01	FOOT SEAT	
2	4-950-490-01	PLASTIC STAND	
* 3	4-961-804-01	BUTTON BOARD	
Δ 4	1-575-651-61	CORD, AC (LX56: AEP, EA, EE, IT, MX, MY, CIS, SP)	
Δ 4	1-575-975-11	CORD, AC (LX56: CND, US)	
Δ 4	1-590-074-11	CORD, AC (LX56: E)	
Δ 4	1-690-608-11	CORD, AC (LX56: AUS)	
Δ 4	1-696-570-21	CORD, AC (LX56: UK)	
5	1-555-116-11	CORD, PHONO...(BLACK)	
6	4-964-177-01	KNOB SPEED...(BLACK)	
6	4-964-177-11	KNOB SPEED	
7	4-964-178-01	KNOB REJECT...(BLACK)	
7	4-964-178-11	KNOB REJECT	
8	4-964-184-01	KNOB POWER (LX56:BLACK)	
8	4-964-184-11	KNOB POWER	
9	4-947-487-01	RETURN LINK	
10	4-890-173-00	WASHER	
11	3-659-350-00	WASHER	
12	A-4604-947-A	RETURN ASSY, LEVER	
13	4-947-485-01	SPRING (22)	
14	4-947-510-01	NUT	
15	4-947-491-01	ARM REST	
16	A-4660-499-A	ARM CLIP ASSY	
17	4-947-477-01	CUEING (BASE)	
18	4-947-468-01	LEVER, CUEING	
19	4-963-537-01	SPRING	
20	4-963-536-01	LINK RETURN	
21	4-963-535-01	ADJUST CAM	
22	4-947-514-01	4MM CS RING	
23	4-947-467-01	SPRING (6)	
24	4-947-466-01	tone arm elevator	
25	A-4660-498-A	HINGE ASSY	
26	A-4384-982-A	PANEL (B) ASSY, FRONT (LX56: SILVER)	
26	A-4411-941-A	PANEL (B) ASSY, FRONT (LX56: SILVER METALLIC)	
26	A-4660-577-A	FRONT PANEL (G) ASSY (LX56: GRAY) (US)	
26	A-4660-578-A	FRONT PANEL (G) ASSY (LX56: BLACK)	
26	A-4660-976-A	FRONT PANEL (G) ASSY (LX56P)	
* 27	4-950-487-01	MAIN CABINET (B)...(BLACK)	
* 27	4-950-487-11	MAIN CABINET (B) ... (LX56: SILVER, SILVER METALLIC)	
28	4-947-505-01	CUSHION MOTOR	
29	4-947-504-01	COLLAR	
30	3-451-162-00	WASHER (56)	
31	3-701-445-21	WASHER	
32	4-947-498-01	STELL BALL	
33	4-947-497-01	GEAR	
34	4-947-496-01	SPRING (34)	
35	4-947-495-01	WIPER REJECT	
36	4-948-101-01	SPRING (38)	
37	A-4604-916-A	GEAR ASSY, SPUR	
38	4-947-503-01	BELT	
39	4-947-494-01	TURNTABLE PLATTER	
40	4-947-539-01	RUBBER MAT	
41	A-4604-946-A	DUST COVER ASSY	
* 42	1-652-482-11	PHONO BOARD (LX56)	
* 42	1-644-410-11	CORD BOARD (LX56P)	
43	4-948-095-01	COVER, CARTRIDGE	
44	4-951-290-01	STYLUS (CN-234)	
45	A-4604-940-A	ARM ASSY, TONE	
46	4-947-464-01	COUNTER WEIGHT	
47	4-952-961-01	SCREW (LX56)	
* 48	1-649-845-11	RELAY BOARD (LX56)	
49	1-557-109-21	CORD, DC (LX56P)	
50	3-701-806-00	ADAPTOR, 45	
M1	A-4604-945-A	MOTOR ASSY	
SW1	1-570-666-11	SWITCH (LEAF)	
SW2	1-571-089-11	SWITCH, PUSH (SPEED) (1 KEY)	
SW3	1-692-211-11	SWITCH, PUSH (POWER) (1 KEY) (LX56)	
Δ SW4	1-692-835-11	VOLTAGE SELECTOR (LX-56: AUS, E, MX, MY, SP)	
Δ T1	1-450-987-11	TRANSFORMER, POWER (LX56: AEP, EE, IT, CIS)	
Δ T1	1-450-987-21	TRANSFORMER, POWER (LX56: AUS, E, PX, EA, JE, MX, SP)	
Δ T1	1-450-987-31	TRANSFORMER, POWER (LX56: MY)	
Δ T1	1-450-987-41	TRANSFORMER, POWER (LX56: U, CA)	

ELECTRICAL PARTS LIST

NOTE:

- Due to standardization, replacements in the parts list may be different from the parts specified in the diagrams or the components used on the set.
- XX, -X mean standardized parts, so they may have some difference from the original one.
- RESISTORS: All resistors are in ohms. METAL: Metal-film resistor. METAL OXIDE: Metal Oxide-film resistor. F: nonflammable.
- Items marked "*" are not stocked since they are seldom required for routine service. Some delay should be anticipated when ordering these items.
- Hardware (# mark) list is given in the last of this parts list.

- SEMICONDUCTORS: In each case, u: μ , for example: uA...: μ A..., uPA...: μ PA..., uPB...: μ PB..., uPC...: μ PC..., uPD...: μ PD...
- CAPACITORS: uF: μ F
- COILS: uH: μ H
- AUS : Australian model
- CND : Canadian model
- EE : East European model
- IT : Italian model
- MX : Mexican model
- EA : Saudi Arabia model
- SP : Singapore model
- MY : Malaysia model
- JE : Tourist

The components identified by mark Δ or dotted line with mark Δ are critical for safety. Replace only with part number specified.

Les composants identifiés par une marque Δ sont critiques pour la sécurité. Ne les remplacer que par une pièce portant le numéro spécifié.

Ref. No.	Part No.	Description	Remark	Ref. No.	Part No.	Description	Remark
*	1-644-410-11	CORD BOARD (LX56P)				ACCESSORIES & PACKING MATERIALS	
		*****				*****	
*	1-652-482-11	PHONO BOARD (LX56)				3-758-045-11 MANUAL INSTRUCTION	
		*****				(English, French, Spanish, Portuguese) (LX56 AEP, CND)	
		< CAPACITOR >				3-758-045-21 MANUAL INSTRUCTION (English) (LX56 US, UK)	
C1	1-126-012-11	ELECT 470uF 16V				3-758-045-41 MANUAL INSTRUCTION (German, Dutch, Swedish, Italian) (LX56 AEP, IT)	
		< DIODE >				3-758-045-51 MANUAL INSTRUCTION (English, French, Spanish, Chinese) (LX56 AUS, E, PX, MX, EA, MY, SP, JE)	
D1	8-719-200-82	DIODE 11ES2				3-758-045-61 MANUAL INSTRUCTION (English, German, Polish) (LX56 EE, CIS)	
D2	8-719-200-82	DIODE 11ES2		*		4-947-532-01 SNOW BOX (L)	
D3	8-719-200-82	DIODE 11ES2		*		4-947-533-01 SNOW BOX (R)	
D4	8-719-200-82	DIODE 11ES2				3-701-806-00 ADAPTOR, 45	
		< FUSE >				*****	
Δ F1	1-532-613-XX	FUSE TIME-LAG (T200mA)				HARDWARE LIST	
		*****				*****	
*	1-649-845-11	RELAY BOARD (LX56)		#1		7-621-773-87 SCREW (64)	
		*****		#2		7-623-210-22 WASHER (57)	
				#3		7-624-110-04 GMM E RING	
				#4		7-685-105-01 SCREW (59)	
				#5		7-685-645-79 SCREW (68)	
				#6		7-685-646-79 SCREW (60)	
				#7		7-685-647-79 SCREW (58)	
				#8		7-688-005-01 WASHER (69)	

MEMO

